

# WE SHOW ENERGY THE WAY

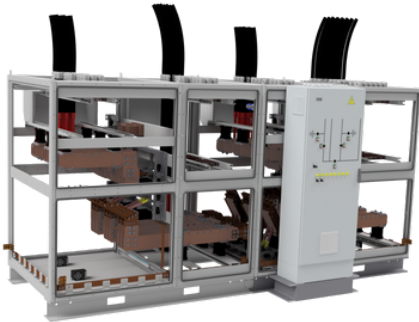


We innovate and  
develop since **1966**

So far, we have **produced**  
**more than 6 000** customized  
electrotechnical solutions

**ivep**®

## MV switchgears, generator switchgears, transient cabinets



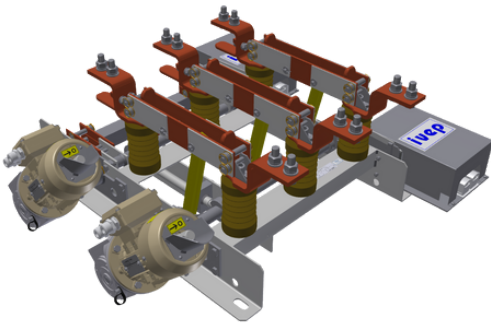
**Utilization:**

Primary and secondary distribution  
Compensation

**Technical information:**

Rated voltage: 3 - 36 kV  
Rated current: 10 - 12 000 A  
Rated short-time current 1 s (3 s): 10 - 150 kA  
Rated dynamic current: 10 - 375 kA  
Circuit-Breaker type: vacuum

## Indoor disconnectors, loadbreak and earthing switches



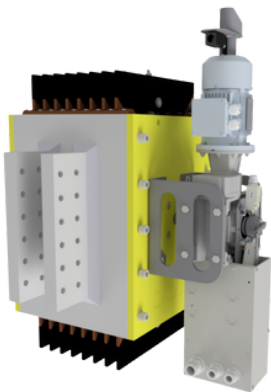
**Utilization:**

Generator application  
Energy production  
Chemical industry  
Steelworks

**Technical information:**

Rated voltage: 1 - 123 kV  
Rated current: 10 - 16 000 A (60 000A)  
Rated short-time current 1 s (3 s): 10 - 200 kA  
Rated dynamic current: 10 - 450 kA

## Heavy duty indoor disconnectors



**Utilization:**

Chemical industry  
Steelworks

**Technical information:**

Rated voltage: 0,01 - 12 kV  
Rated current: 8 000 - 40 000 A (with modular system up to 160 000A)  
Rated short-time current 1 s (3 s): 63 - 160 kA  
Rated dynamic current: 375 kA

## Outdoor loadbreak switches and disconnectors



**Utilization:**

Energy distribution  
Utilities, fault indication

**Technical information:**

Rated voltage: 1 - 52 kV  
Rated current: 10 - 4 000 A  
Rated short-time current 1 s (3 s): 10 - 63 kA  
Rated mainly active load-breaking current: 400 (630) A

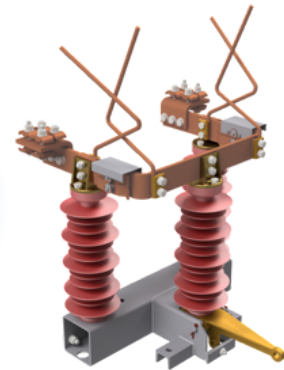
## Traction outdoor and indoor switches

### Utilization:

Railways  
Public city transport

### Technical information:

Rated voltage: 1,5 and 3 kV DC, 35 and 52 kV AC  
Rated current: 2 000 - 5 000 A  
Rated short-time current 1 s: 20; 31,5 kA  
Rated dynamic current: 50, 80 kA



## Drives — indoor and outdoor, hand or motor type

### Utilization:

Control of LV, MV and HV devices

### Technical information:

Rated voltage: 12 - 220 V DC,  
230 V AC, 400 V AC

Type of communication: GPRS/LTE, 3G, 4G, 5G

Communication protocols: IEC 60870-5-101, IEC 60870-5-104,  
Modbus (RTU), Modbus TCP, DNP 3.0 TCP

Materials of the cabinet: steel/stainless steel including surface treatments



## SF6 gas insulated cable bushing for power transformers

### Utilization:

Interconnection between HV cables and the power transformers

### Technical information:

Rated voltage: 123 kV  
Rated current: 630 - 2 500 A  
Rated short-time current 1 s (3 s): 25 kA  
Insulation gas: SF6



## Testing and services

The voltage tests, power, mechanical and electrical durability tests.  
Any verification of the LV and MV switchgears including the type tests.

... or make a wish!



Our **tailored and customized solutions** are tested in our and international labs

Production for partners from **five continents**



**5 continents**  
**80 countries**



[ivep.cz](http://ivep.cz)



[support@ivep.cz](mailto:support@ivep.cz)

**ivep**<sup>®</sup>